



# SOLIDO HD



**User manual**

Before your first use, please charge and discharge the batteries.

**Safety precautions**

- Do not use the lamp in the immediate vicinity of inflammable materials or gases.
- Make sure that the illuminants are not covered during use.
- Only use the accessories included with the product for recharging your rechargeable workshop lamp.
- Keep the lamp out of reach of unauthorised persons, especially children.
- Do not point the light directly in your own or any other person's or animal's eyes.
- Always check the mains cable before you use the charger. If the mains cable is damaged, replace the charger

**Lamp design and accessories**

- 1000 Lumen Main + 200 Lumen Torch
- Large reflector COB LED
- Stable suspension hooks
- 5V charging system for recharging the batteries
- MicroUSB cable: 1m
- Strong magnets at the bottom and back side
- 1 Nylon hook, 360° swivel
- Swivel handle

**Recharging**

- Completely charge the batteries before you first use the lamp.
- The lamp must be charged per three months to protect the battery lifetime.

**Charging and using a 5V DC USB charger**

- Plug the power supply into USB main charger
- Plug the charger cable into the MicroUSB socket
- If all 4 LEDs are lit, the battery is fully charged

**NOTE: Do not dispose of used batteries with domestic waste, but leave them at an appropriate collection point for disposal.**

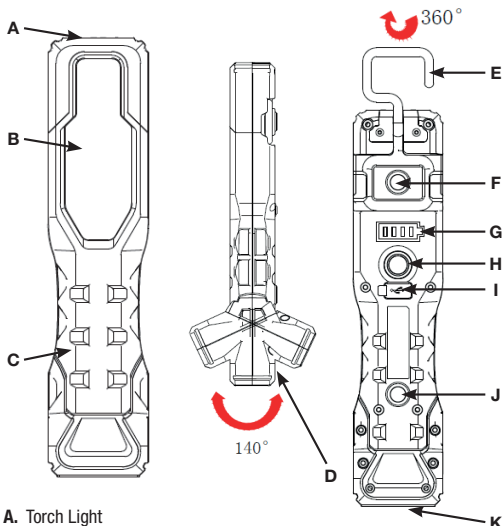


**Technical data**

Item number	55.102.27
Type	SOLIDO HD
Protection class	class 3
Light source	10W high power COB LED - Front Main light 3W high power SCOB LED - Top Torch light
Luminous power	ca. 1000 lm - Front Main light ca. 200 lm - Top Torch light
Operating time	ca. 3 h to 10 h - Front Main light ca. 10 h - Top Torch light
Color temperature	6500° K
Battery specification	3.7V - rechargeable, Lithium 4400mAh
Charging time	ca. 4 h
Charging input	DC 5V 1A
Degree of protection	IP65, IK08
Operating temperature	-10°C to +45°C

**Usage switch function**

- Press 1 times: Torch ON
- Press 2 times: Front Main LED ON 100%
- Press 3 times: Front Main LED ON 50%
- Press 4 times: Front Main LED ON 25%
- Press 5 times: OFF
- If left in any mode for over 3 seconds, the next press will turn the light off



- A. Torch Light
- B. Main COB light
- C. High impact & water resistant casing (IP65) (IK08)
- D. Foldable handle with strong magnet
- E. 360° swivel hook
- F. Magnetic
- G. Lamp battery indicator LED
- H. Switch
- I. DC point cover
- J. Magnetic
- K. Magnetic



Subject to technical changes.  
We assume no liability for printing errors.



**MADE FOR**

**veeneman**  
 Steutelbloemstraat 33  
 7322 AJ Apeldoorn  
 www.veeneman.nl

WEEE NL: 0465